

Celin Urinal | Urinol Celin – 244015



244015

Specifications | Características

Material
Material

Gresanit®

Water Intake
Entrada de água

Back
Atrás

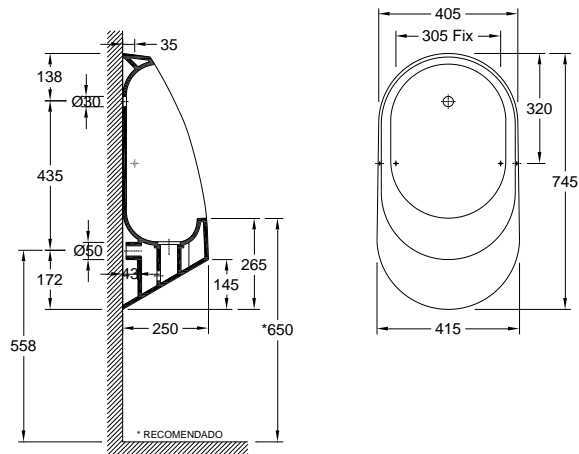
Fixation
Fixação

On the wall | Na parede

Warranty
Garantia

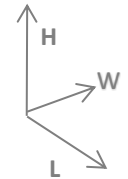


Technical Design | Desenho técnico



Dimensions | Dimensões (mm)

KG	L	W	H
23	250	415	745



Recommendations | Recomendações¹

EN FR

Material Matériaux	Type of product Type de pièce	Detergents Détergents		Cleaning kit Matériel de Nettoyage		Other Recommendations Autres Recommandations
		✗	✓	✗	✓	
Ceramics Céramique		Abrasives Abrasifs	Acid and basic weak Neutral Soap Acides et bases faibles Savon Neutre			Not dropping objects Évitez de faire tomber des objets
Metallics Métallique		Acid and Basic Acetone Alcohol Ammonia Abrasives	Neutral Soap Savon Neutre	Abrasives Abrasifs	Cleaning Cloth Chiffon doux	Weight on cover Ne vous tenez pas sur la surface supérieure
Plastics/Resins Plastiques/Résines		Acides et Bases Acétone Alcool Ammoniac Abrasifs				Effort on soft-close Ne forcez pas la descente en douceur

1. PT - Outras recomendações mais específicas podem acompanhar os produtos comercializadas. Recomendamos que siga as recomendações e instruções indicadas.

EN - Other particular recommendations can be attached complementarily with the traded products. We strongly advise you to follow the recommendations and instructions indicated.